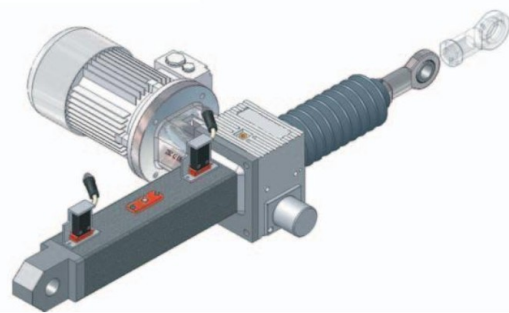


## LUDE TRANSMISSION

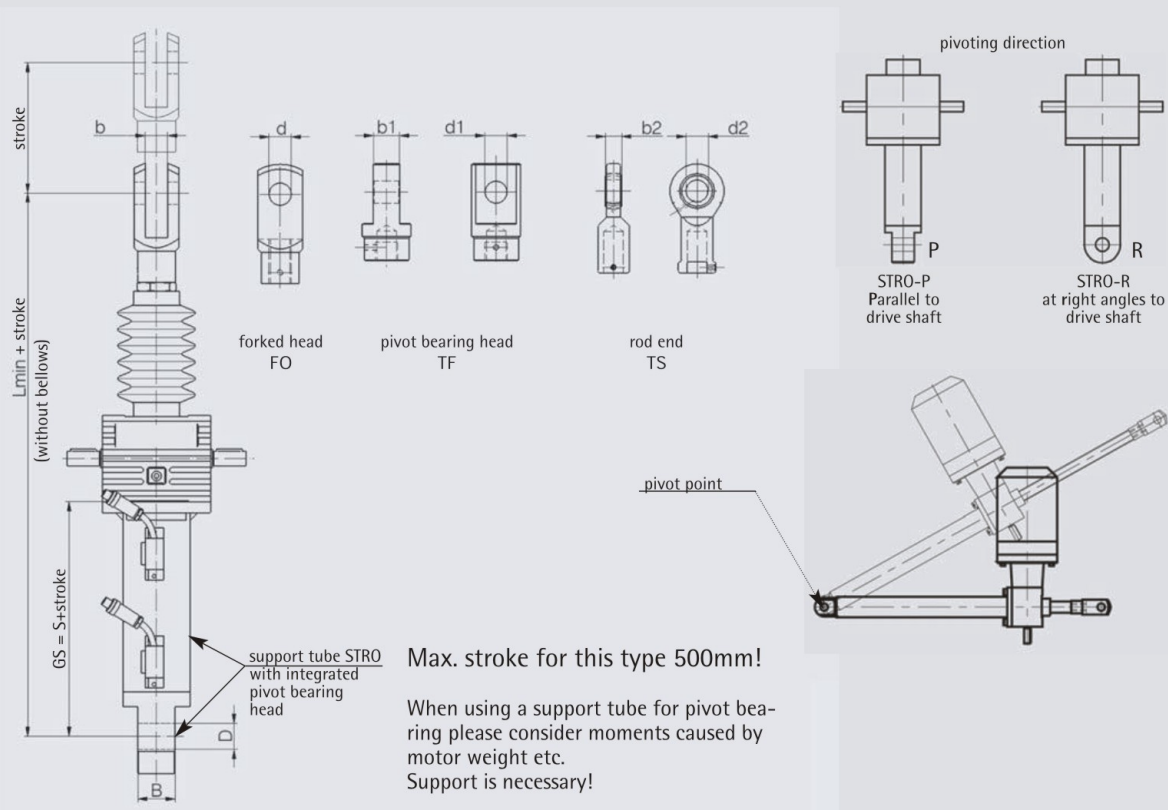
LD Series Double Clevis Jack



**LINEAR MOTION**



## Actuator with Support Tube for Pivot Bearing STRO

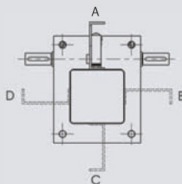


Max. stroke for this type 500mm!

When using a support tube for pivot bearing please consider moments caused by motor weight etc. Support is necessary!

Order example  
(support tube): SJA20-STRO-P, GS=150mm

position of limit switch  
A=Standard



"A" is the standard position of limit switch and lubrication strip (with protection against rotation VS). Please specify if another position is required!

Size	Attachment	S	L min. FO	L min. TF	L min. TS	d	b	d1	b1	d2	b2	D	B
SJA5	standard	82	224	224	226	12	12	12	15	12	16	12	20
	with AS/VS	97	239	239	241	12	12	12	15	12	16	12	20
	with ESSET	152	294	294	296	12	12	12	15	12	16	12	20
SJA10	standard	94	262	262	267	14	14	14	24	14	19	20	30
	with AS/VS	114	282	282	287	14	14	14	24	14	19	20	30
	with ESSET	166	334	334	339	14	14	14	24	14	19	20	30
SJA20	standard	98	303	303	300	20	20	20	30	20	25	20	30
	with AS/VS	118	323	323	320	20	20	20	30	20	25	20	30
	with ESSET	169	374	374	371	20	20	20	30	20	25	20	30
SJA50	standard	137	426	398	416	30	30	30	35	30	37	40	50
	with AS/VS	167	456	428	446	30	30	30	35	30	37	40	50
	with ESSET	219	508	480	498	30	30	30	35	30	37	40	50
SJA80	standard	147	516	480	497	35	36	35	40	35	25	40	50
	with AS/VS	177	546	510	527	35	36	35	40	35	25	40	50
	with ESSET	229	598	562	579	35	36	35	40	35	25	40	50